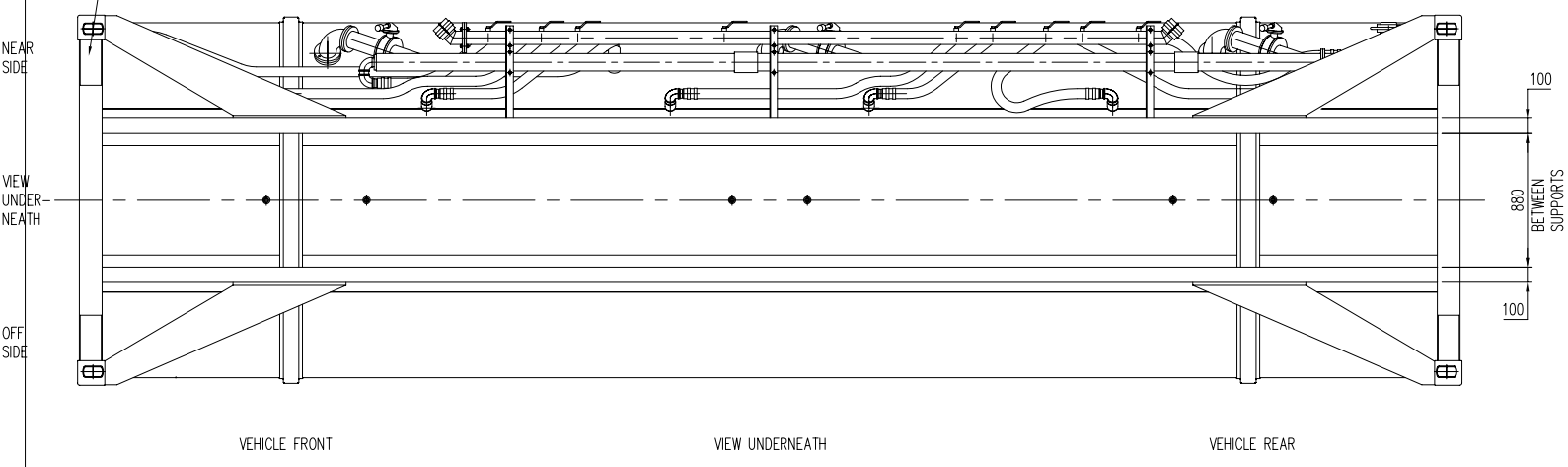
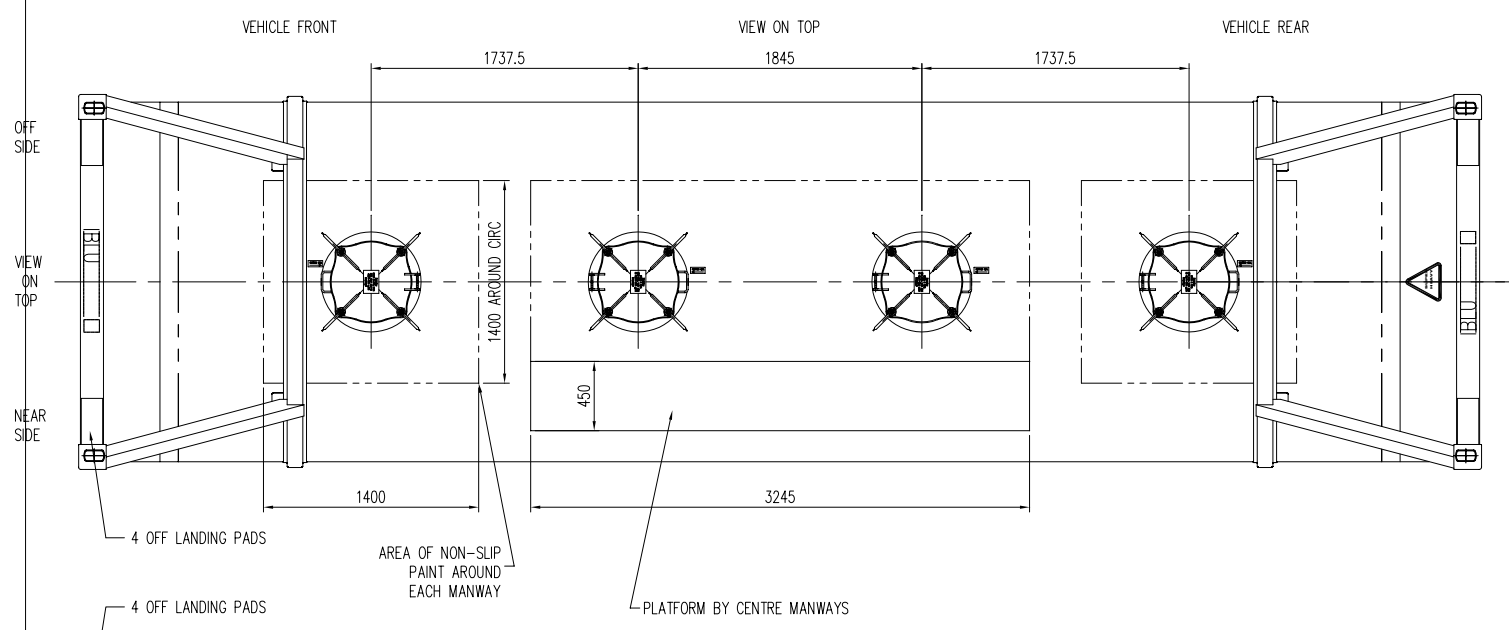
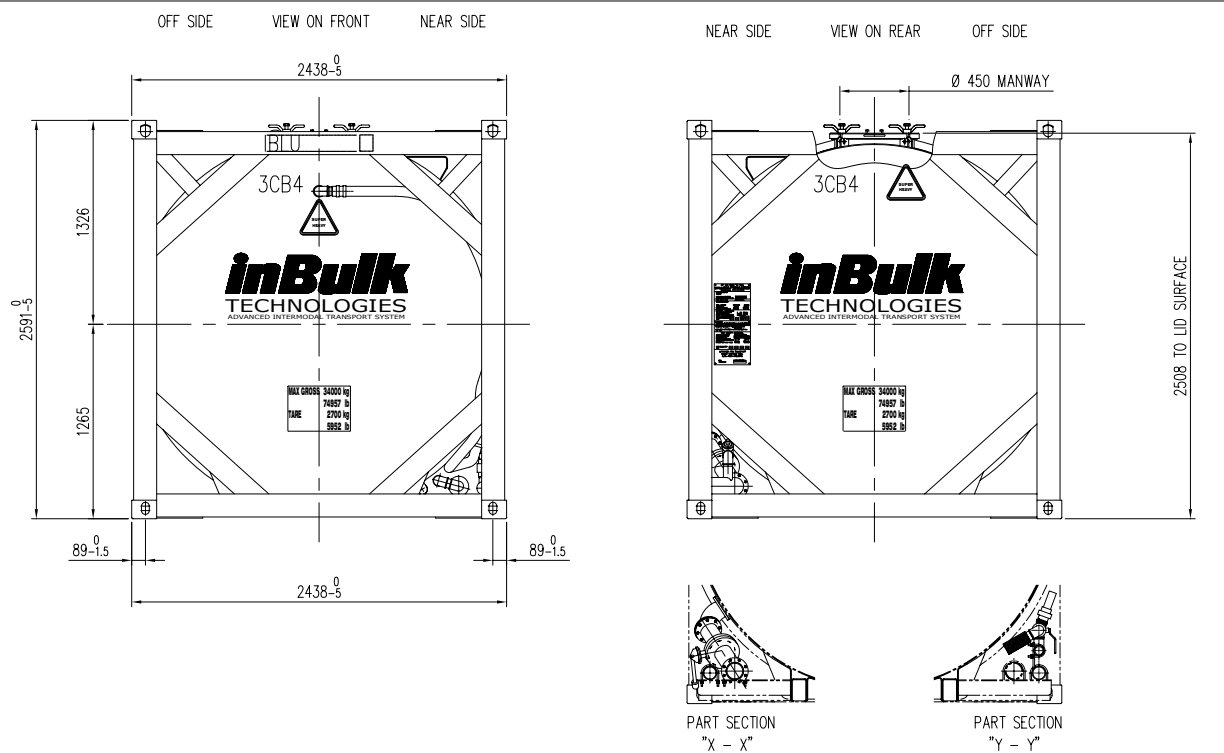
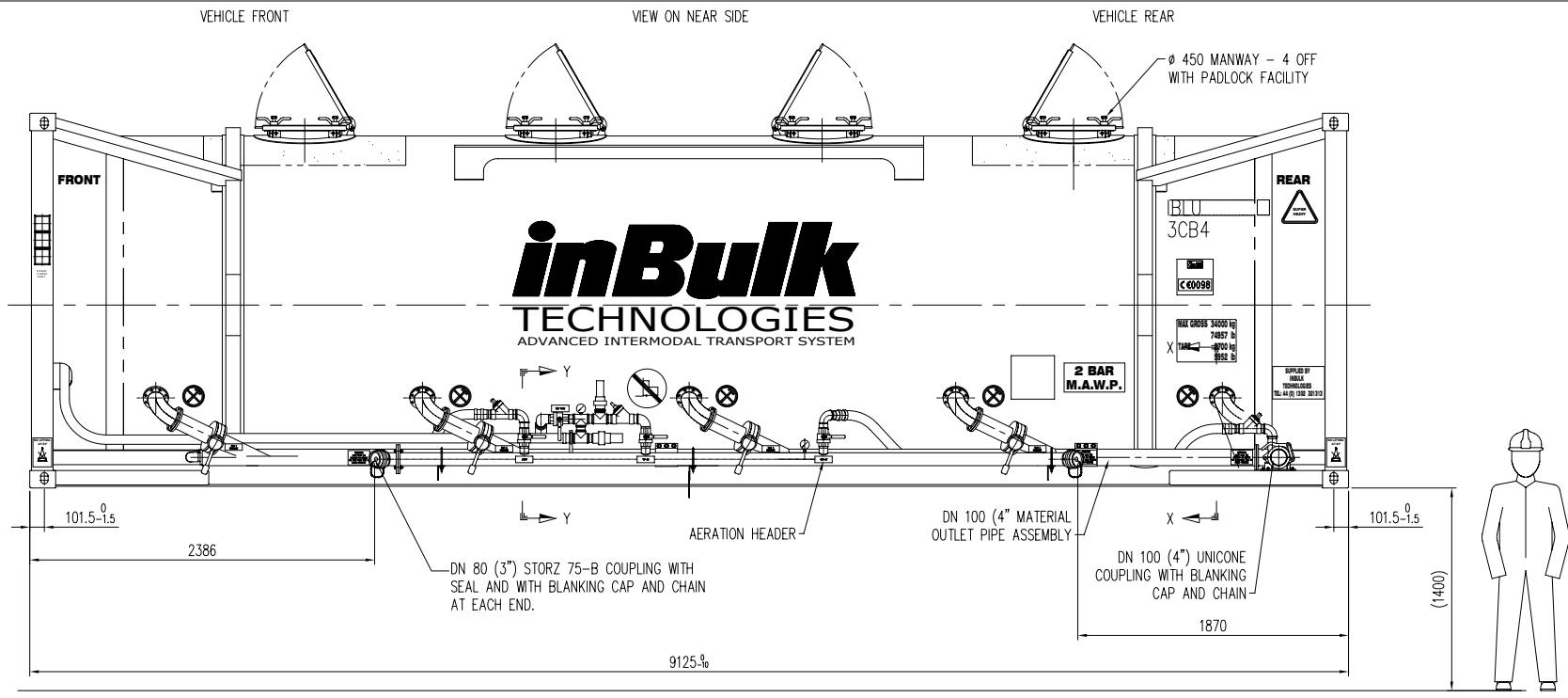


Drawing No: P37843B-00



30' ISO-VEYOR 'G'-TYPE  
 TARE WEIGHT - 3000 KG  
 MAX GROSS WEIGHT - 34000 KG  
 GROSS MATERIAL VOLUME - 31.3 M<sup>3</sup>  
 MAX ALLOWABLE WORKING PRESSURE - 2 BARG  
 MATERIAL OF CONSTRUCTION - VESSEL - ALUMINIUM  
 FRAME - ALUMINIUM

CODES AND STANDARDS:  
 CSC INTERNATIONAL CONVENTION FOR SAFE CONTAINERS;  
 VESSEL CONSTRUCTION - ASME VIII DIV I ED2001 ADDENDUM 2002;  
 GENERALLY IN ACCORDANCE WITH ISO 1496 / 3 AND UIC RAIL APPROVAL.

PAINT COLOUR: TO CLIENT SPECIFICATION.  
 NOTE:  
 TERMS "VEHICLE FRONT" AND "VEHICLE REAR" REFER TO MOUNTING ON ROAD GOING VEHICLES.

CONFIDENTIAL

<b>inBulk TECHNOLOGIES</b>			
inBulk TECHNOLOGIES SHAW LANE INDUSTRIAL ESTATE, DONCASTER, SOUTH YORKSHIRE, DN2 4 SE, ENGLAND. Tel: +44 (0)1302 321313 Fax: +44 (0) 1302 554400 www.inbulktechnologies.com		No reproduction or publication of this drawing may be made and no article may be manufactured or assembled in accordance with this drawing without prior written consent. Protected by U.K. Design Right under the terms of the copyright, design and patent act 1988.	
Title: 30 Ft ISO VEYOR "G" TYPE WITH Ø 450 MANWAY - EXTERNAL ARRANGEMENT			
Client:			
Drawn: M.NEWTON	Date: 27.01.04	Drawing No:	Rec:
Checked:	Date:		
Scale: 1 : 25	Project No:	P37843B-00	01

A1

DO NOT SCALE. IF IN DOUBT, ASK 1st ANGLE PROJECTION