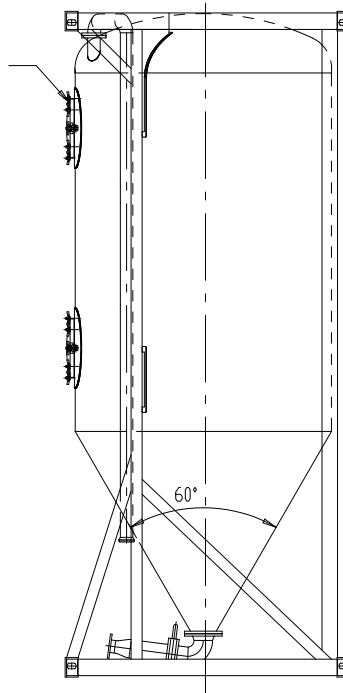
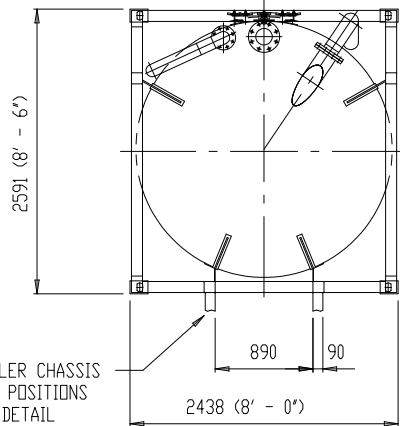
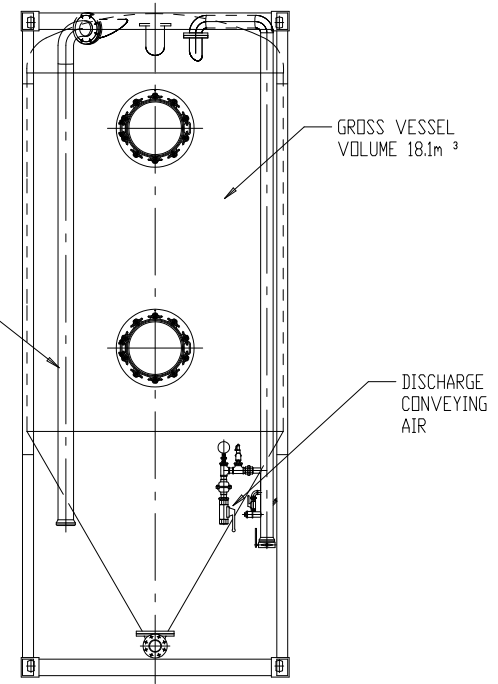


2 x Ø 500 FILLING HATCHES



OPTIONAL PNEUMATIC FILLING PIPE



CONFIDENTIAL

| | | | | |
|--|--------------------------------|-------------|--------|--|
| Scale: 1:50 | Checked: | Drawing No: | Issue: | inBulk TECHNOLOGIES |
| Drawn: M. NEWTON | Project No: | P35289D-00 | 01 | |
| Date: 01.03.02 | DO NOT SCALE. IF IN DOUBT, ASK | | | Title: 20' "V" TYPE ISO-veyor 18.1m ³ (639 cuft) GENERAL ARRANGEMENT |
| 1st ANGLE PROJECTION No reproduction or publication of this drawing may be made and no article may be manufactured or assembled in accordance with this drawing without prior written consent. Protected by UK Design Right under the terms of the copyright, design and patent act 1988. | | | | |
| inBulk TECHNOLOGIES SHAW LANE INDUSTRIAL ESTATE, LIVERPOOL, SOUTH MERSEY, L24 4 SE, ENGLAND. Tel: +44 (0)151 321 313 Fax: +44 (0) 151 321 5440 www.inbulktechnologies.com | | Client: | | |